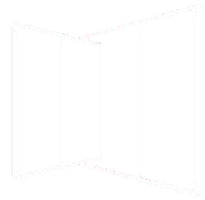
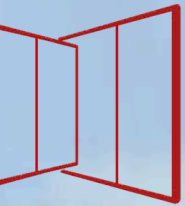


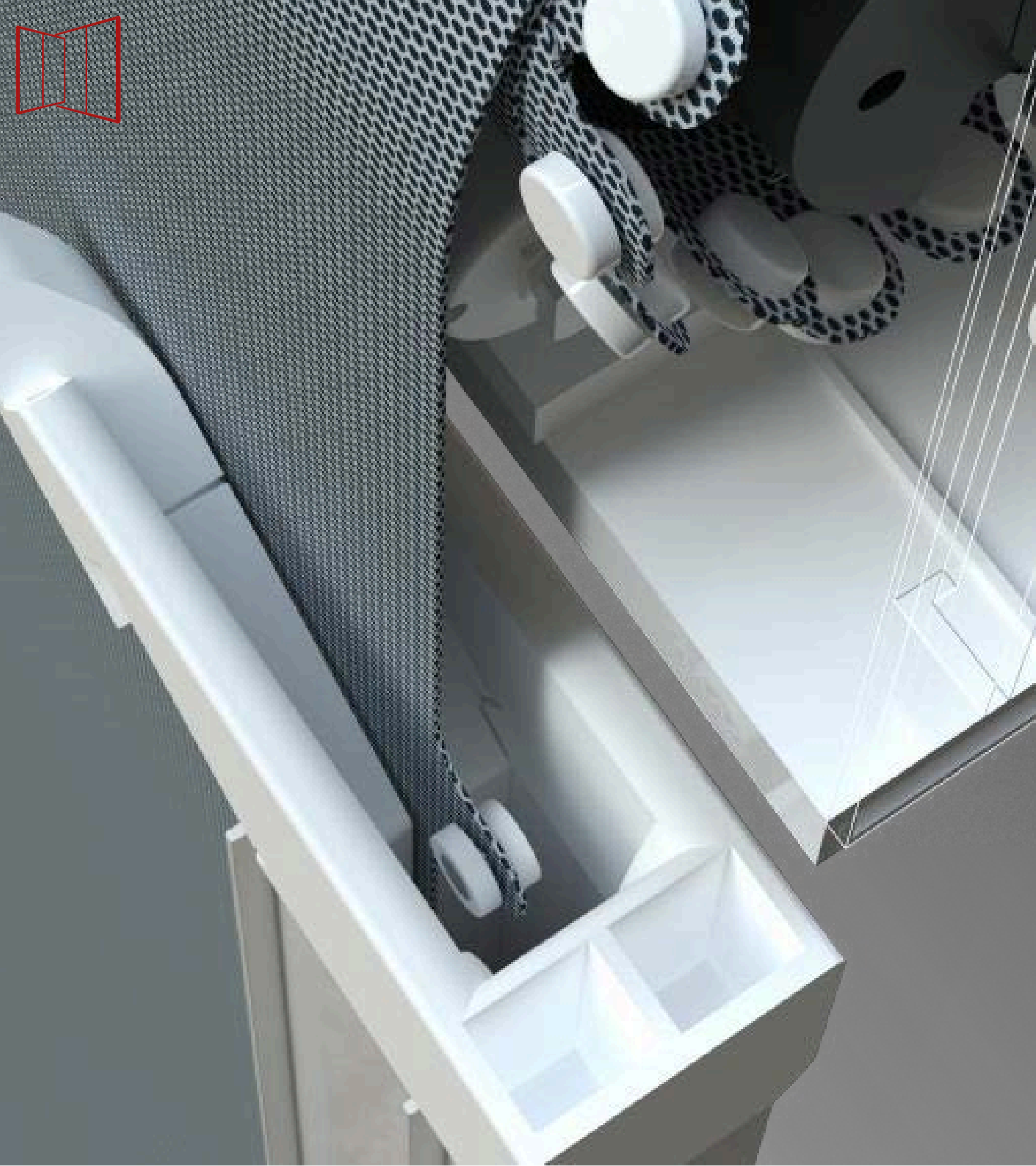
| UltraSlim |

Less is more.



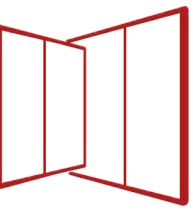
ULTRASLIM | Windproof Roller Blind





EDGELOCK SYSTEM

The EdgeLock Windproof Blind Series features an innovative pulley and ball-bearing mechanism along the fabric edge. Through a special treatment process, the combination of concave-convex edges and precisely positioned roller balls ensures the fabric is tightly integrated with the mechanism's side rails, creating a unified and highly stable design. It provides efficient sun shading and easily adapts to the needs of various scenarios, whether in cozy indoor spaces or expansive outdoor facades.



Obstacle Detection (Upward)

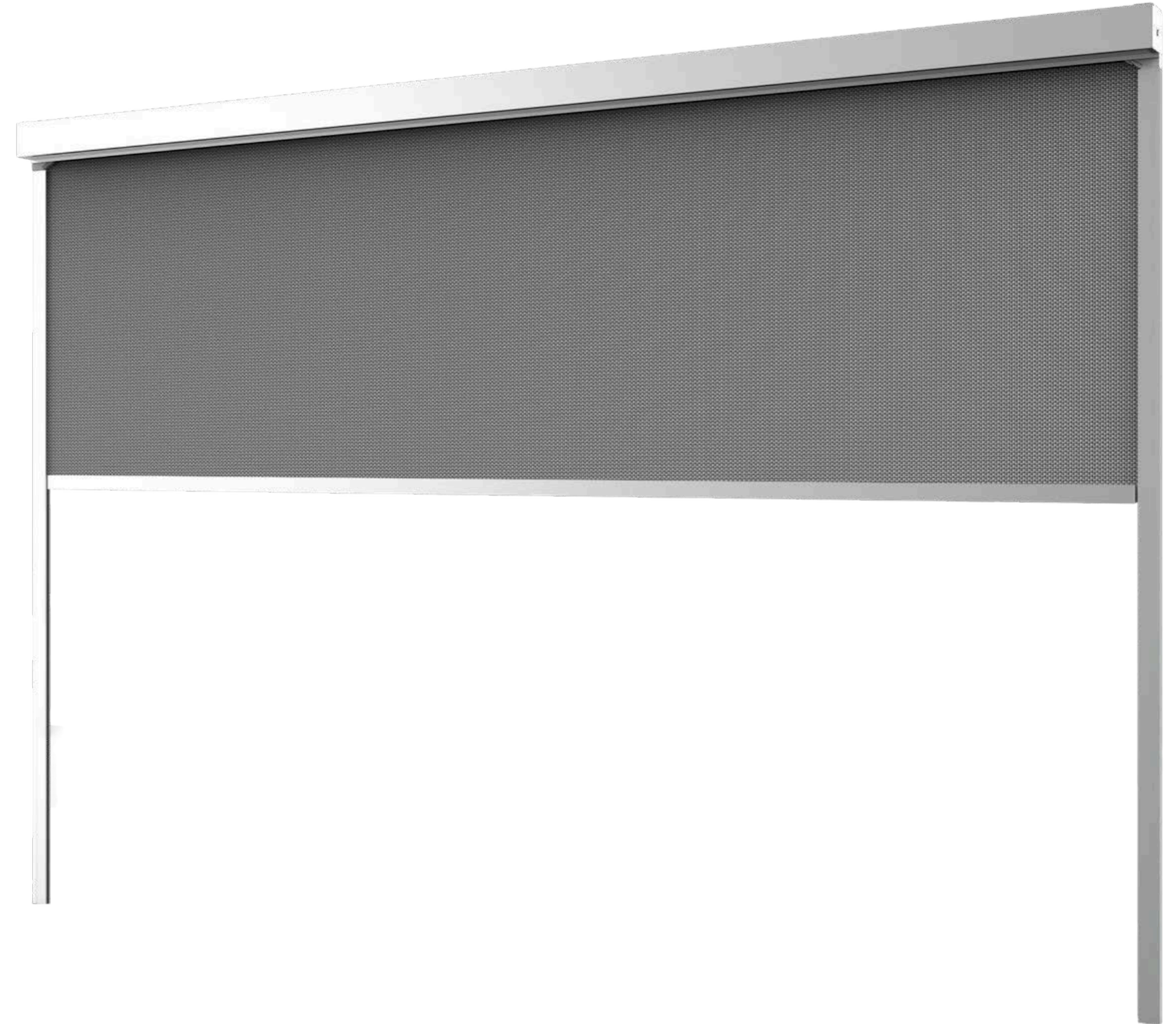
In "Obstacle Stop" mode, the system immediately halts if any abnormality occurs during retraction (e.g., track jamming, manual pulling, or high winds).

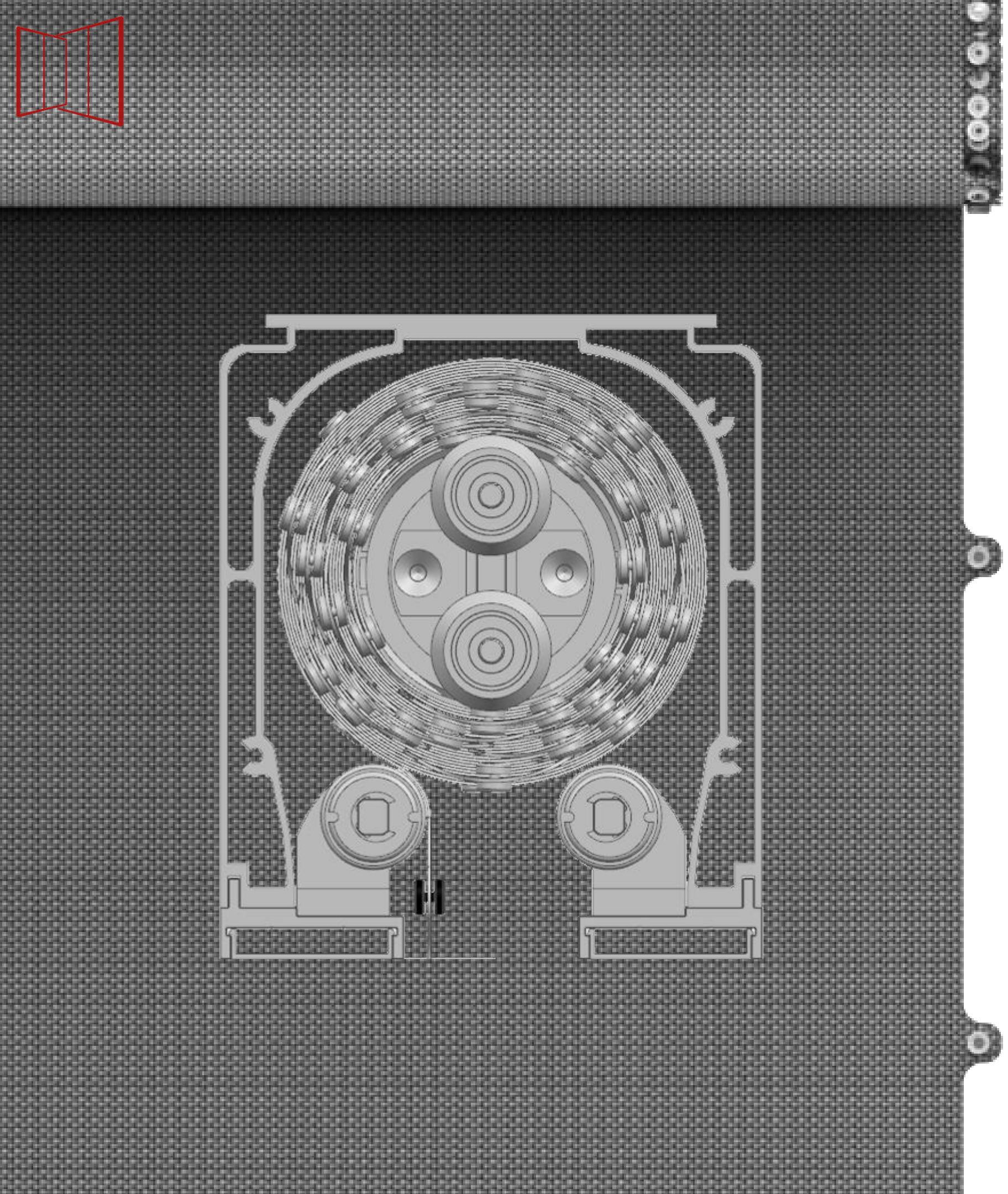
Obstacle Detection (Downward)

During extension, the system can be set to "Stop" or "Rebound" upon encountering obstacles, ensuring structural integrity and safety.

Ultra-Silent Operation

The frictionless mechanism and low-drag fabric design allow for near-silent operation while reducing the torque requirement on the motor.





Stress-Relief Fabric Cutouts

Precisely calculated cutouts align with the roller beads, allowing them to seat perfectly when rolled up and releasing fabric tension when deployed for a flatter, natural hang.

Optimized Tube Geometry

Tube length and diameter are engineered to provide dedicated housing space for roller beads in both rolled and unrolled states.

Enhanced Entry Guide

The widened guide component ensures roller beads are accurately funneled into the side rail openings

Anti-Deflection Structure

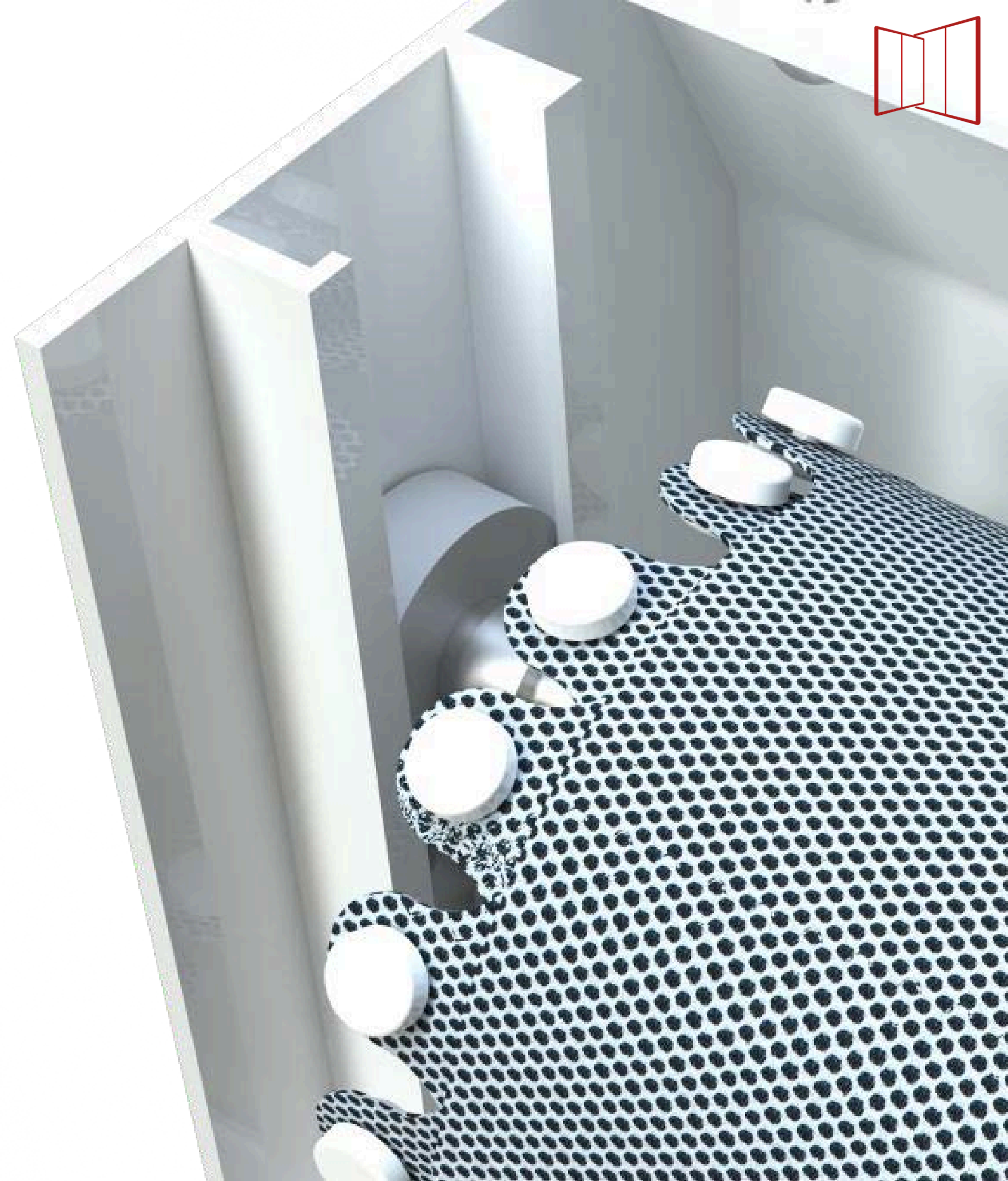
A combination of support tubes, housing, and mounting brackets provides counter-force to prevent the tube from sagging, ensuring fabric flatness across large spans.

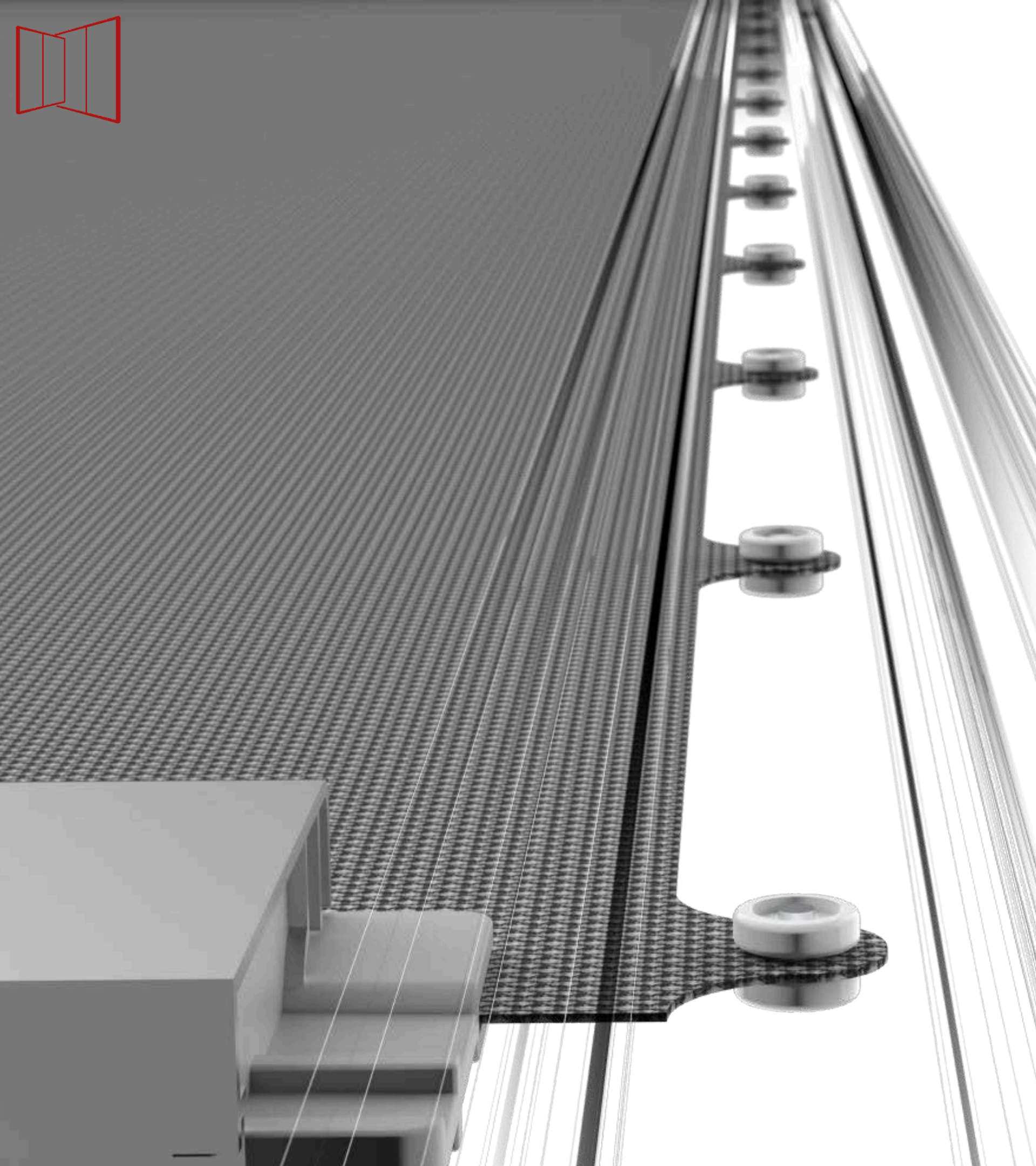
Vertical Alignment Control

The specialized bearing brackets and end-cap structure constrain the tube's lateral shifting, fixing its movement to a strictly vertical path.

Simplified Installation

This structure simplifies assembly and allows the factory to control rail tolerances within a precise 0.5 mm.





Tension-Free Longevity

By keeping the fabric in a "natural and relaxed" state rather than under constant tension, the system eliminates fabric fatigue and significantly extends its lifespan.

Patented Zero-Gap Bottom Rail

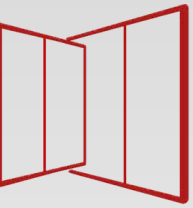
Featuring self-adjusting light-blocking plates and extended weatherstripping, it guarantees a 100% blackout effect even on uneven floors.

Dust & Wind Resistance

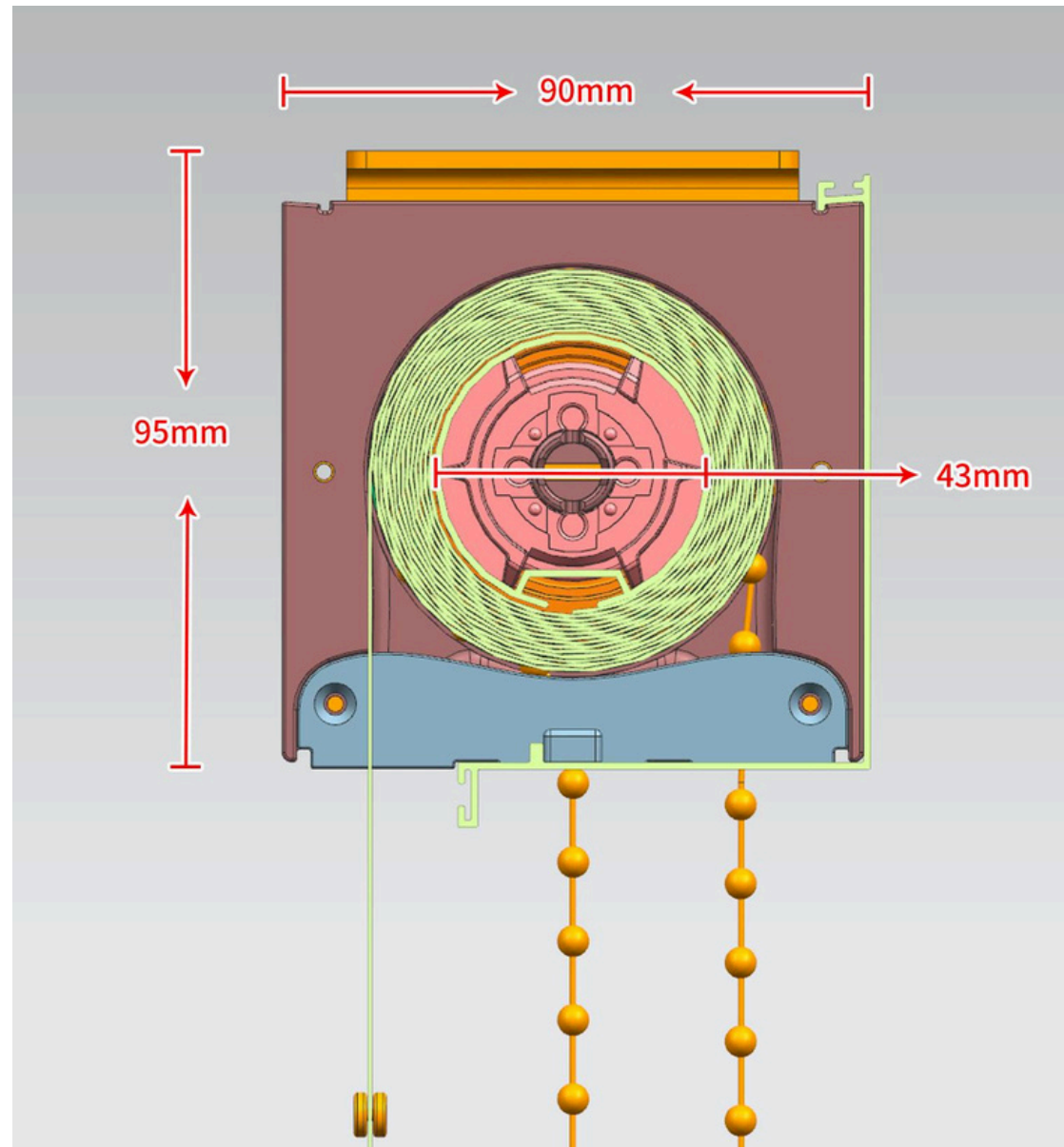
The system's tolerance design prevents dust-related jamming, while the lateral displacement of roller beads provides robust wind resistance.

TECHNICAL DATA





43 Series Manual Windproof Roller Blind



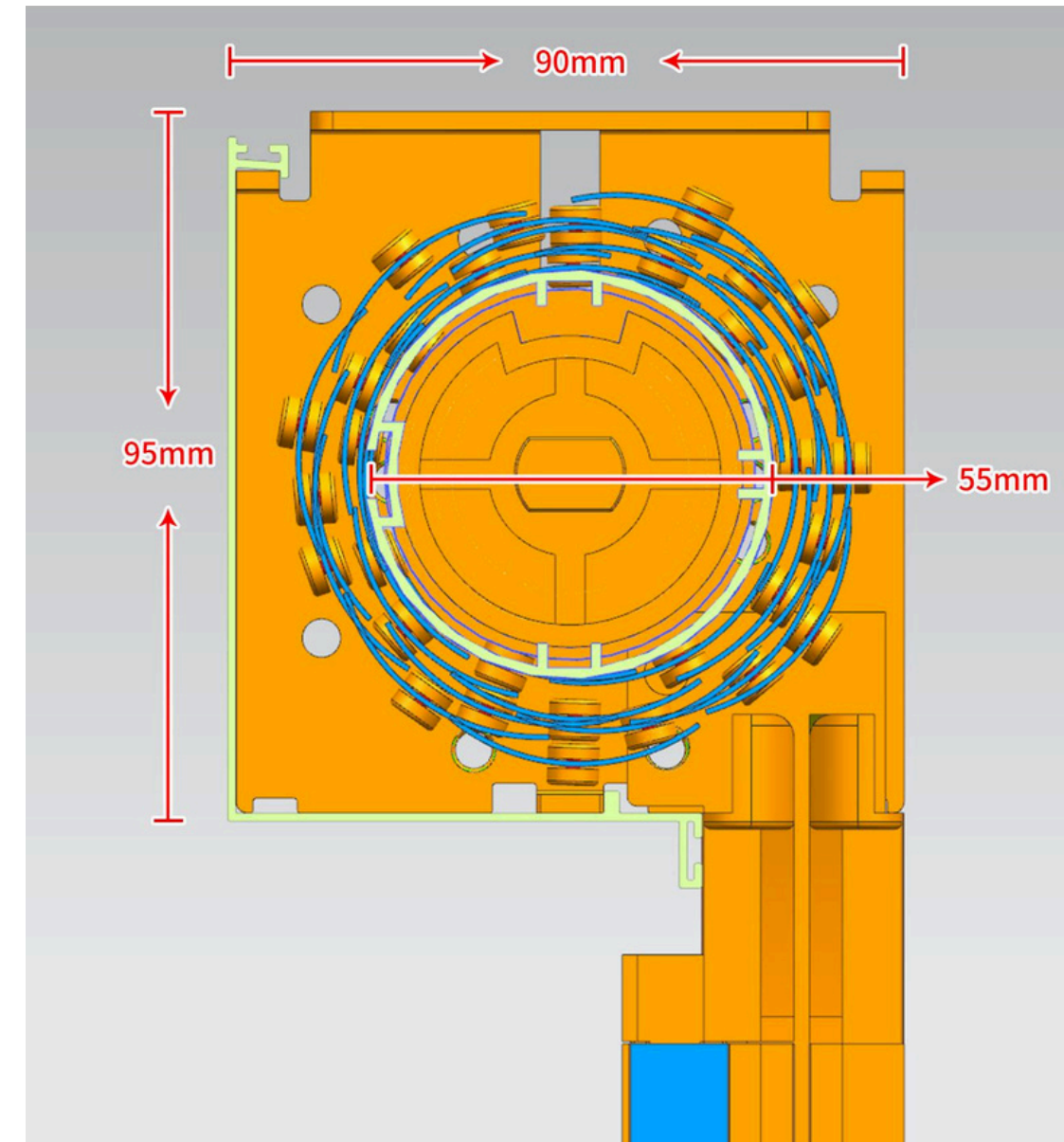
BASIC DATA

Maximum Height: 4000mm

Maximum Width: 2200mm

Thickness of Fabric: 0.8mm

55 Series Motorized Windproof Roller Blind

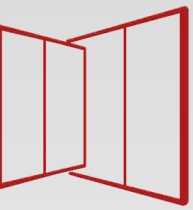


BASIC DATA

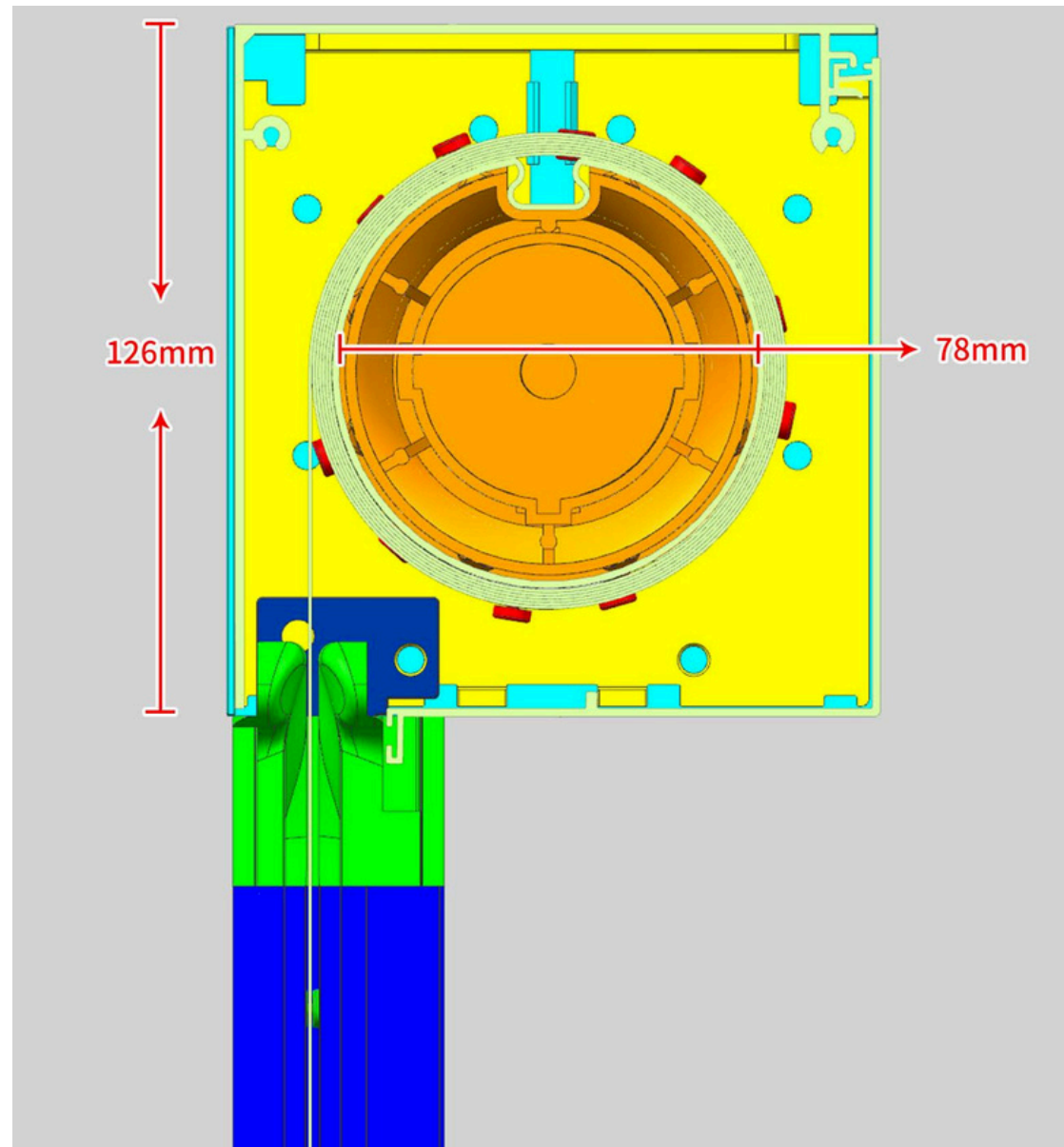
Maximum Height: 4500mm

Maximum Width: 2500mm

Thickness of Fabric: 0.6/0.8mm



78 Series Motorized Windproof Roller Blind



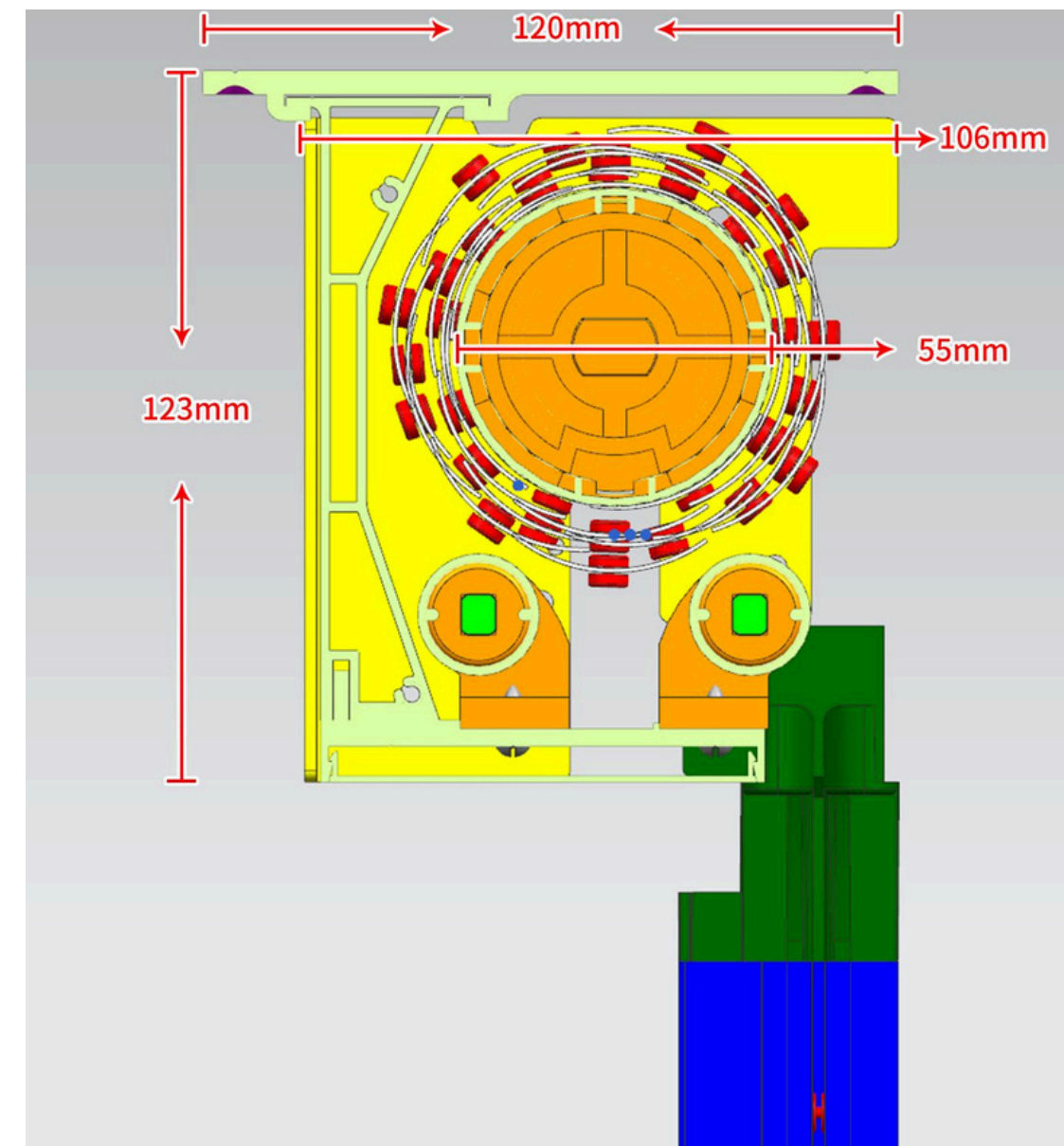
BASIC DATA

Maximum Height: 7500mm

Maximum Width: 4000mm

Thickness of Fabric: 0.6/0.8mr

Lite-Wide Motorized Windproof Roller Blind

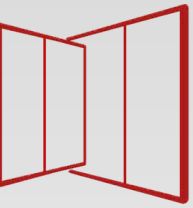


BASIC DATA

Maximum Height: 5200mm

Maximum Width: 7000mm

Thickness of Fabric: 0.4/0.6/0.8m



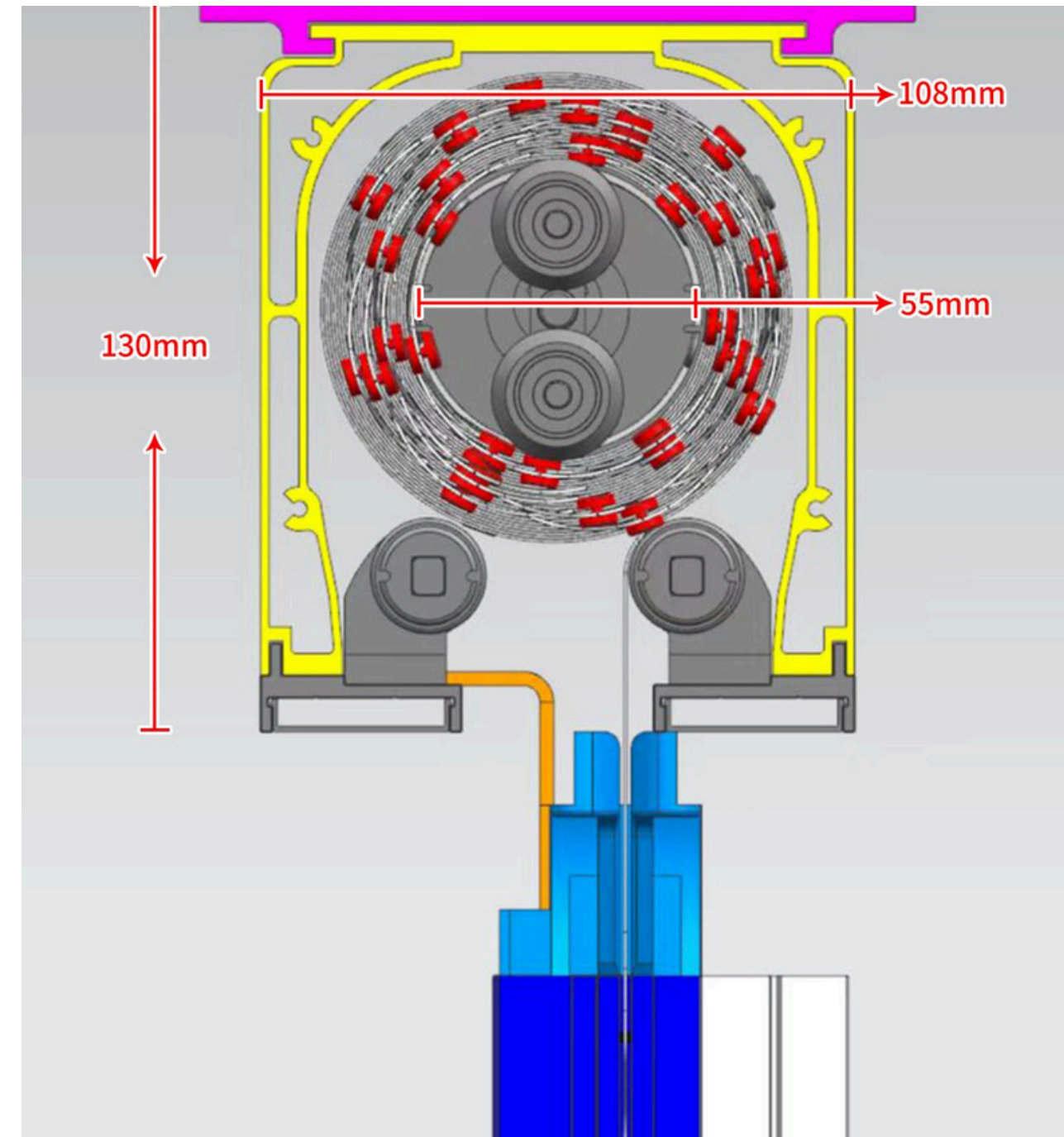
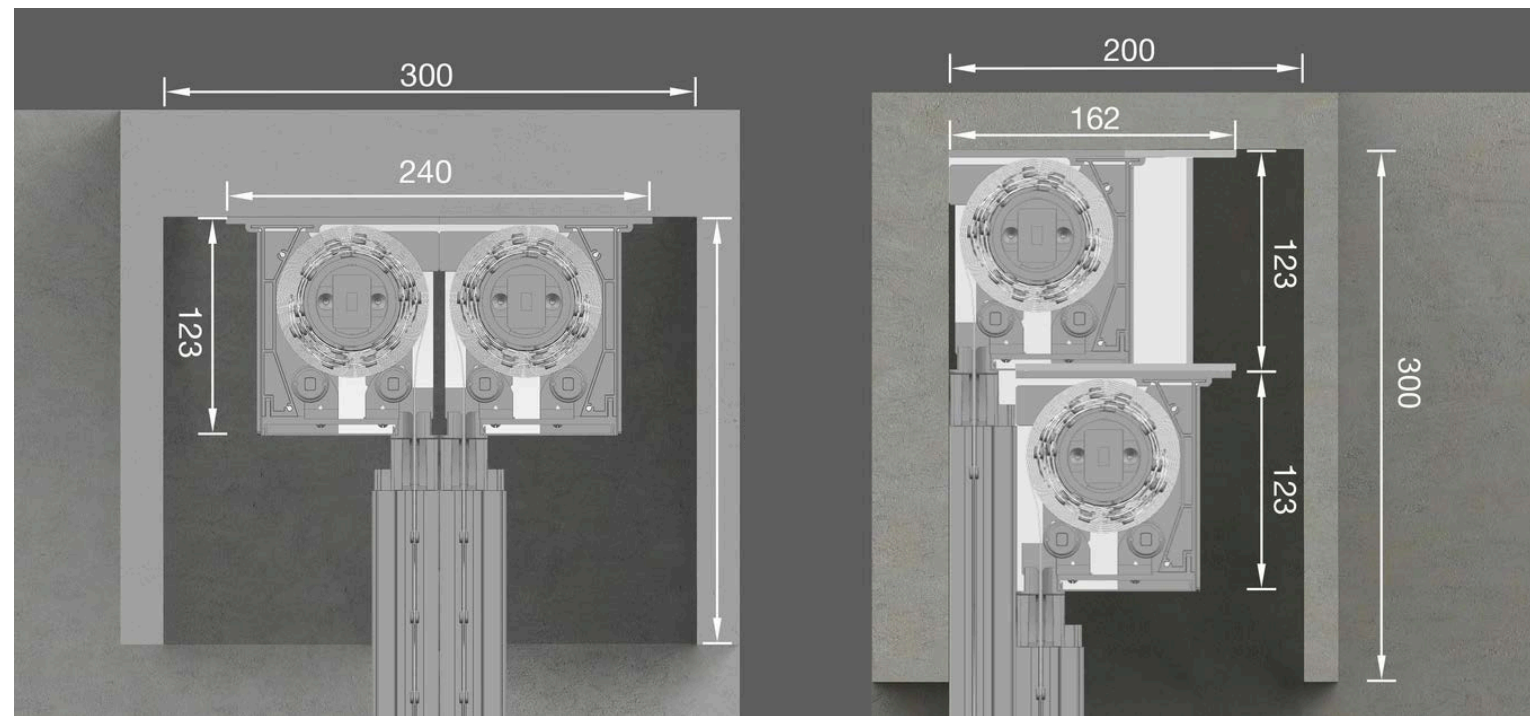
Ultra-Wide Motorized Windproof Roller Blind

BASIC DATA

Maximum Height: 4700mm

Maximum Width: 50000mm

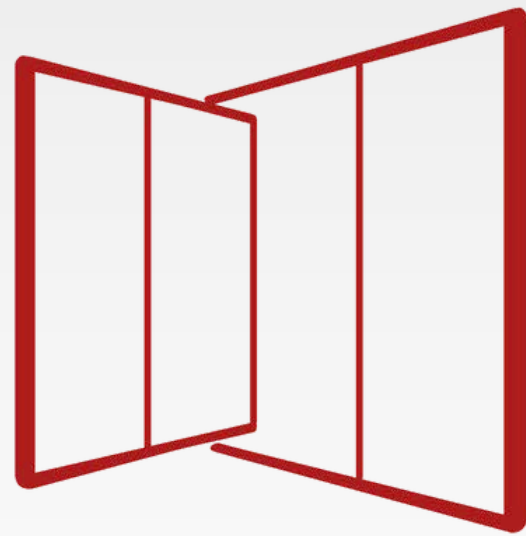
Thickness of Fabric: 0.4/0.6/0.8mm



| UltraSlim |

Less is more





UltraSlim

| Less is More, Engineered for Excellence |